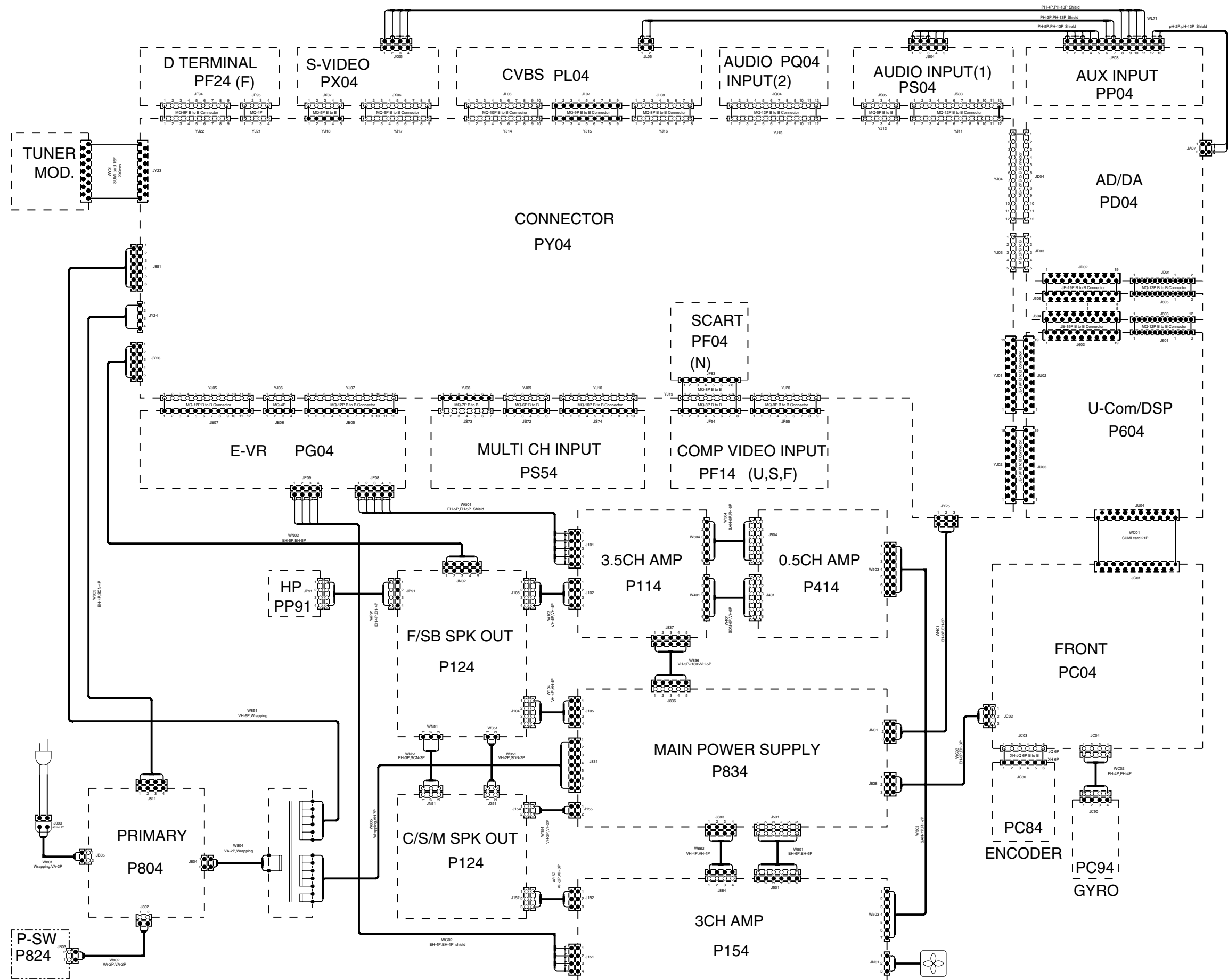
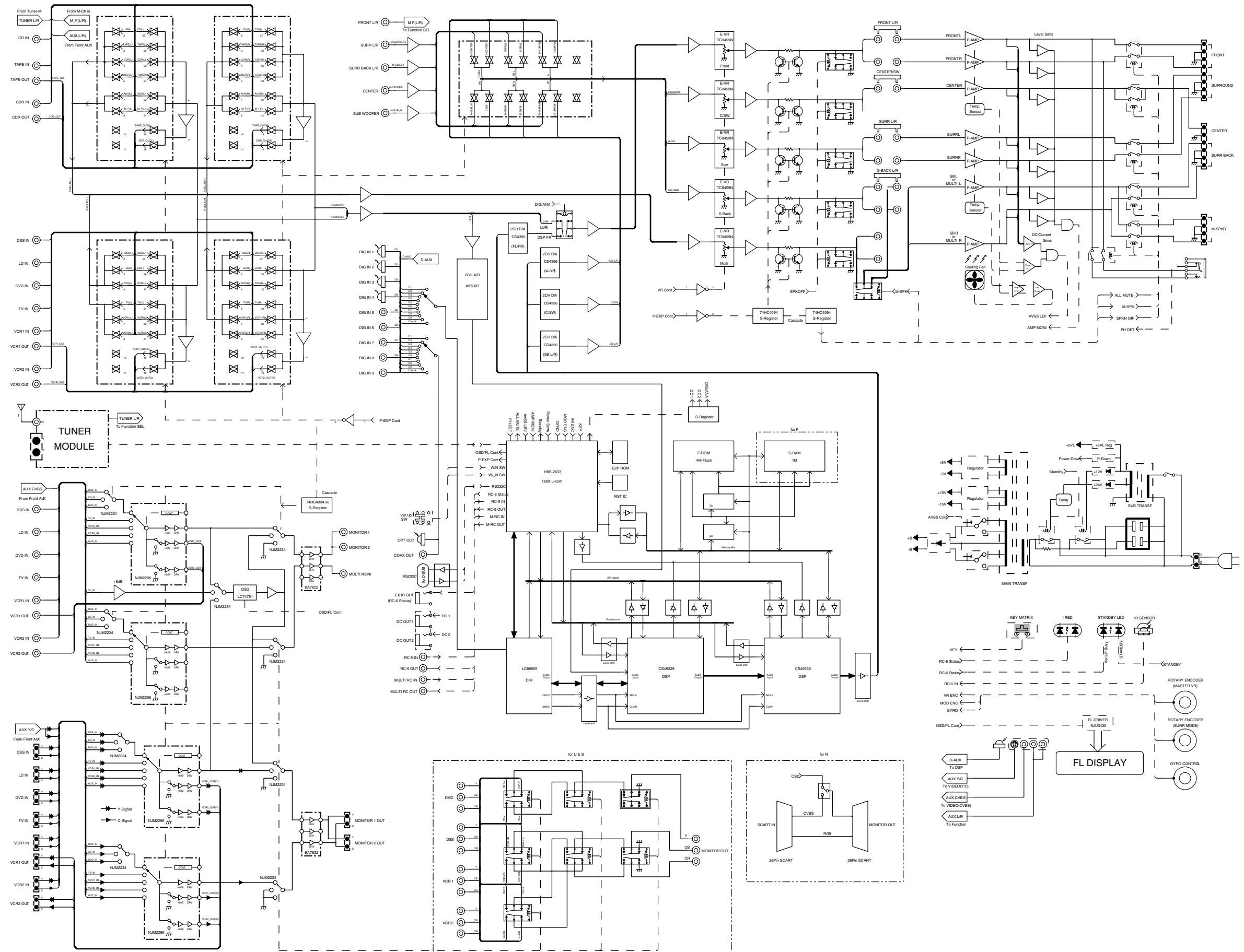


## 2. WIRING DIAGRAM

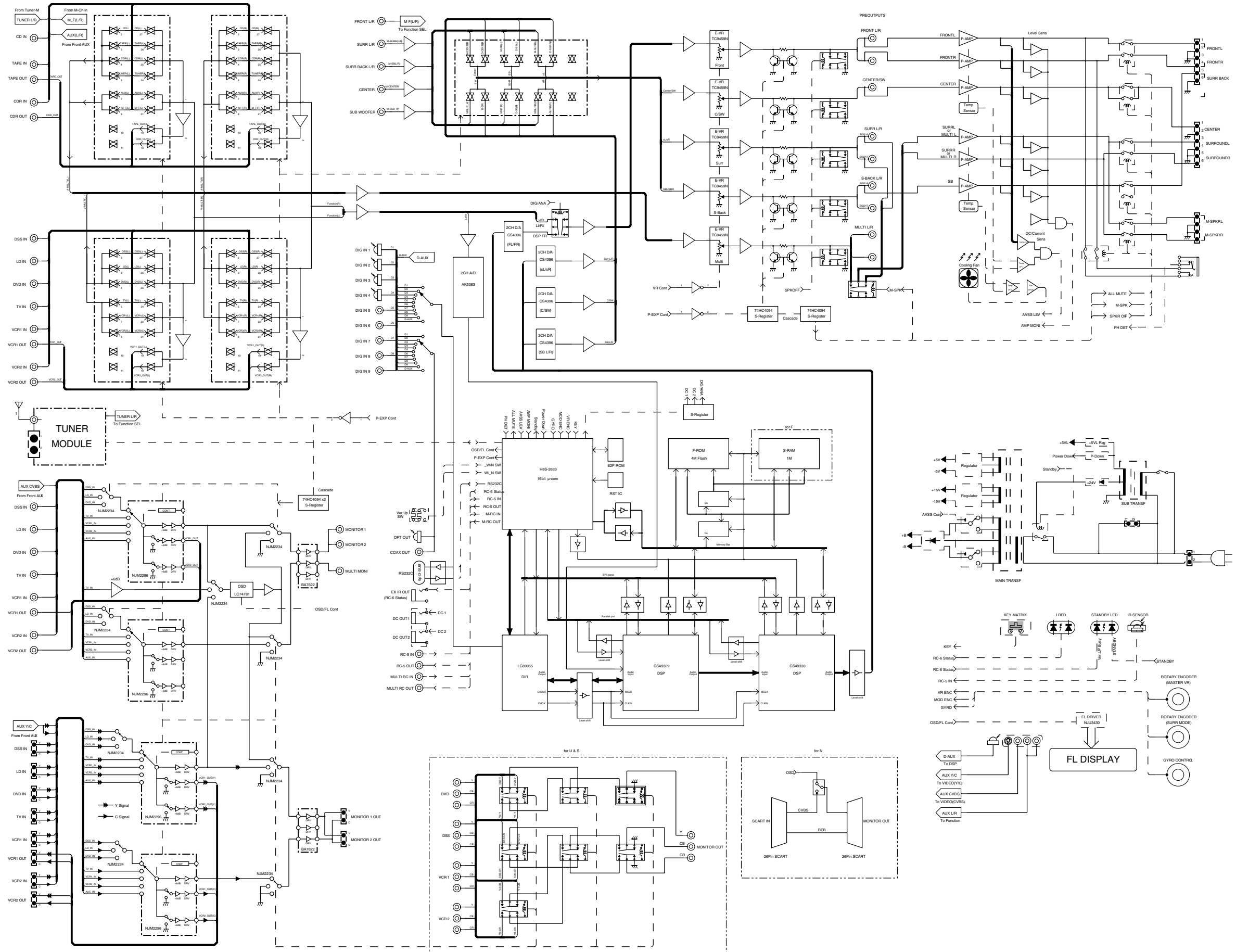


### 3. BLOCK DIAGRAM

#### SR9200 / PS9200

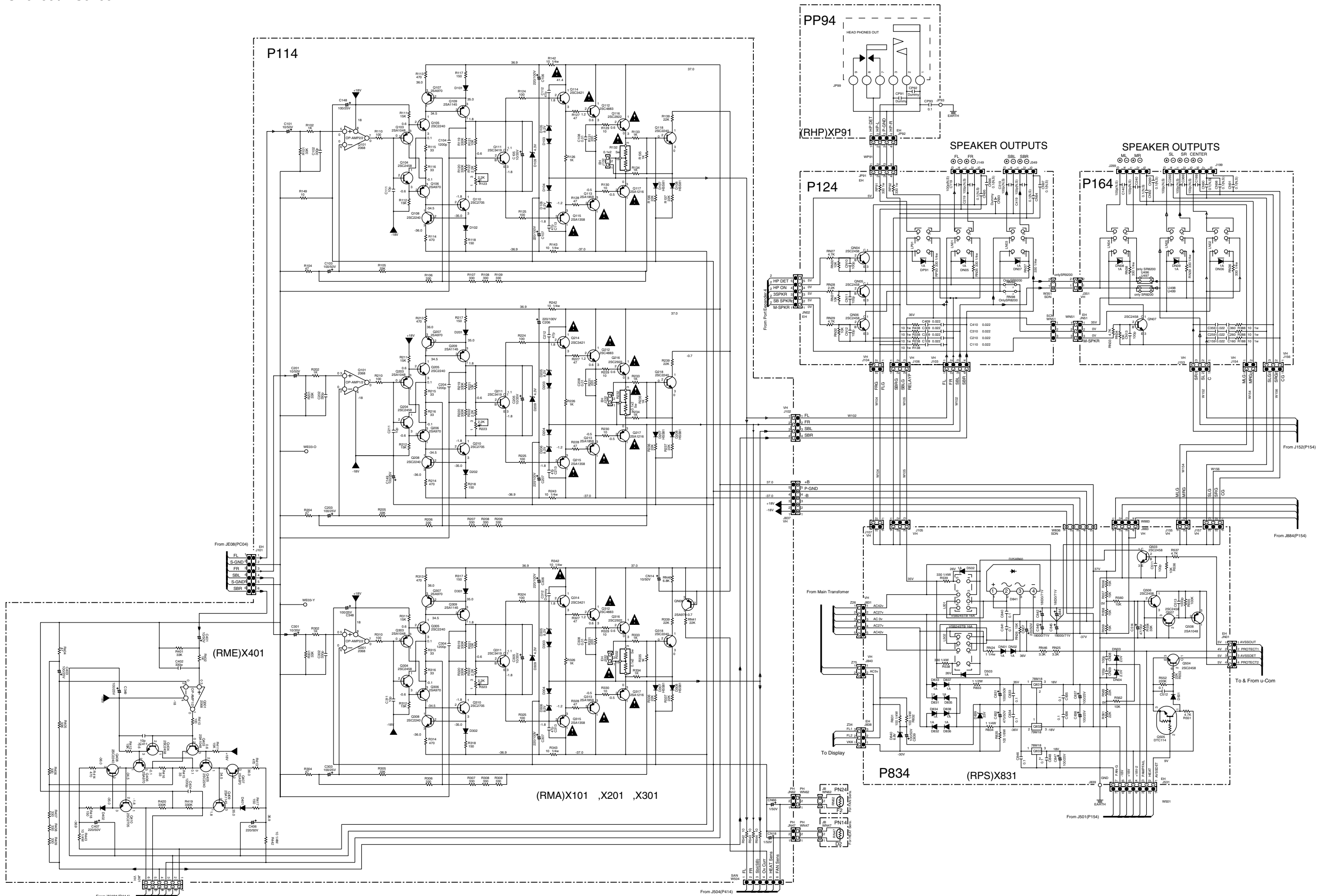


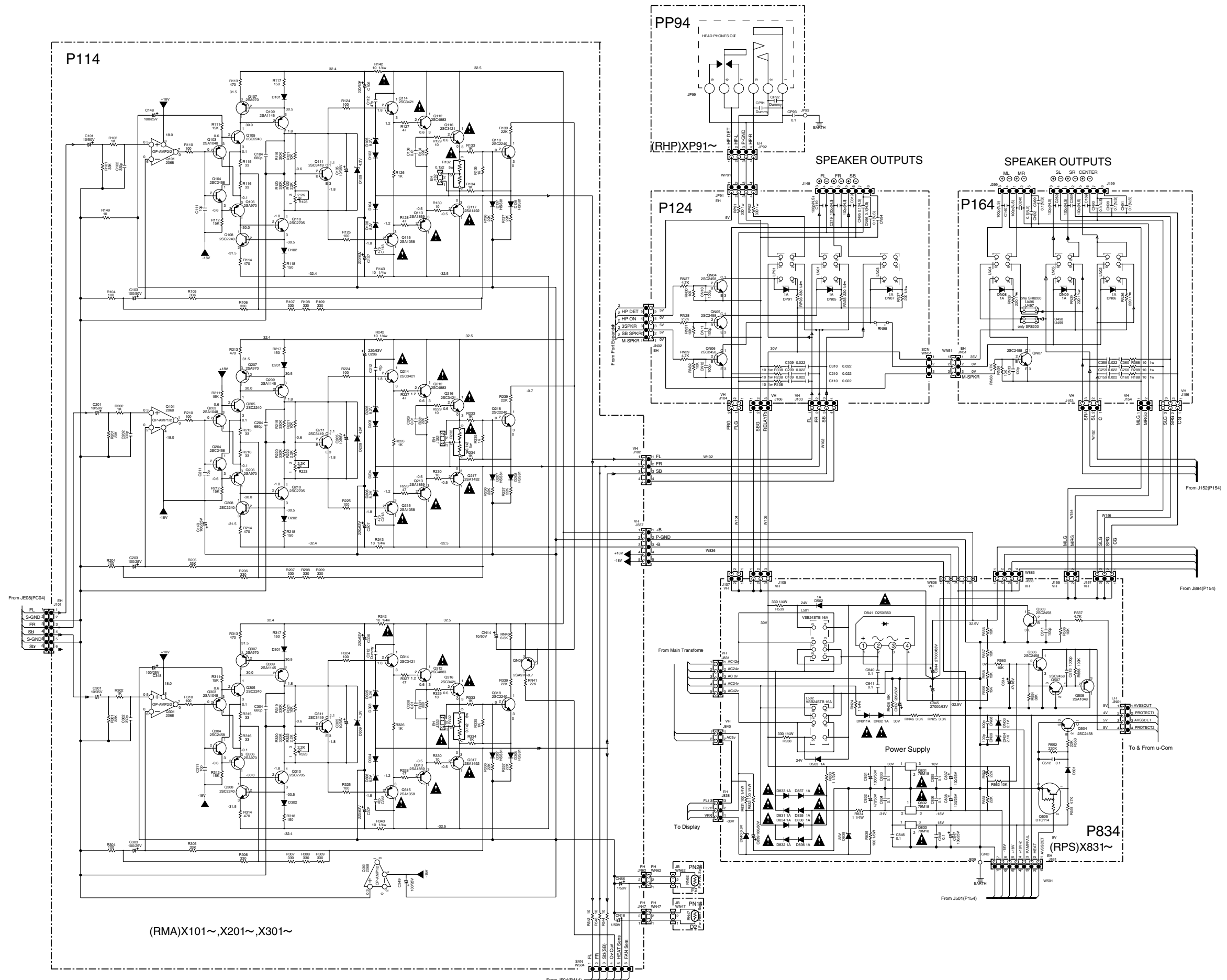
SR8200

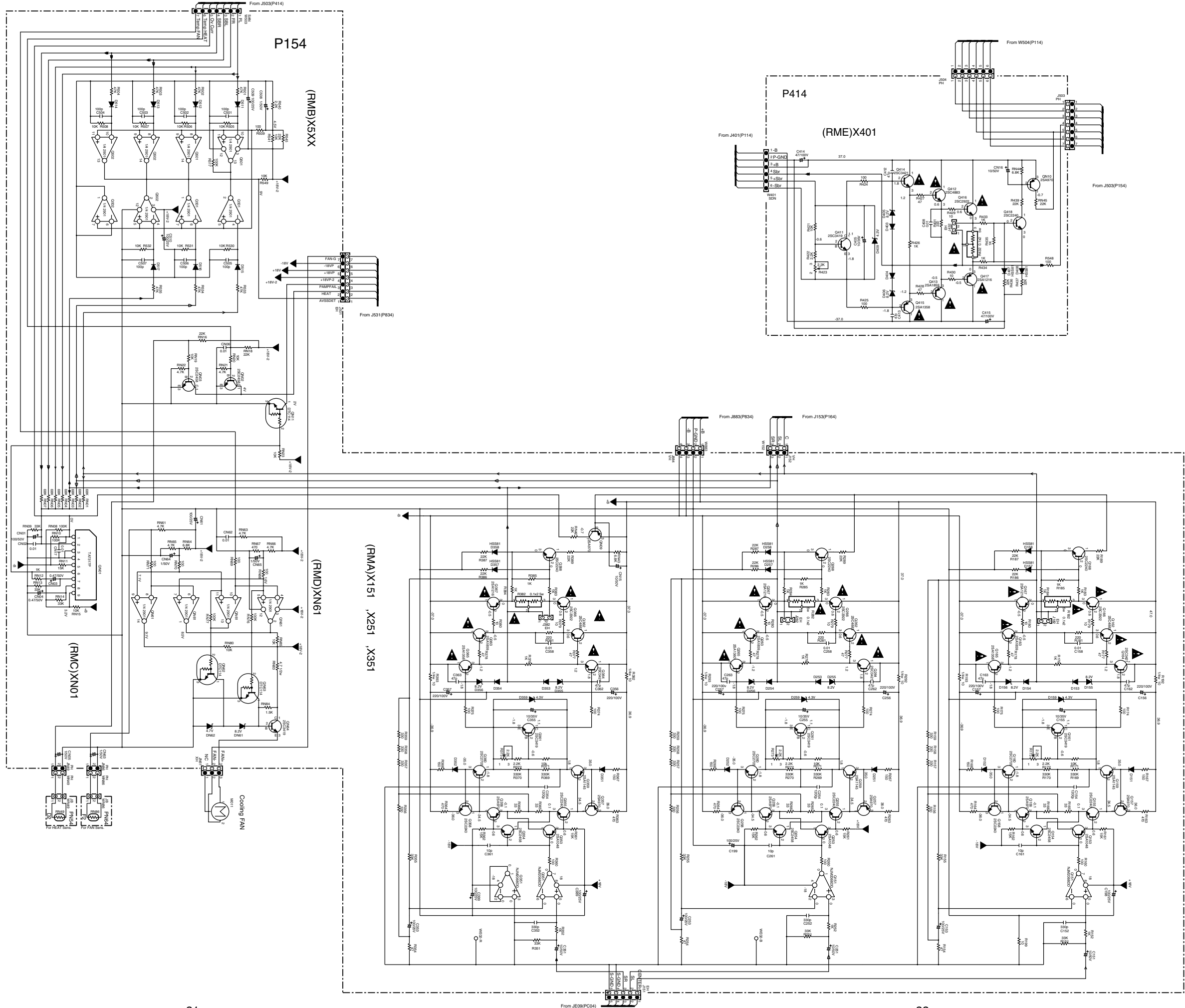


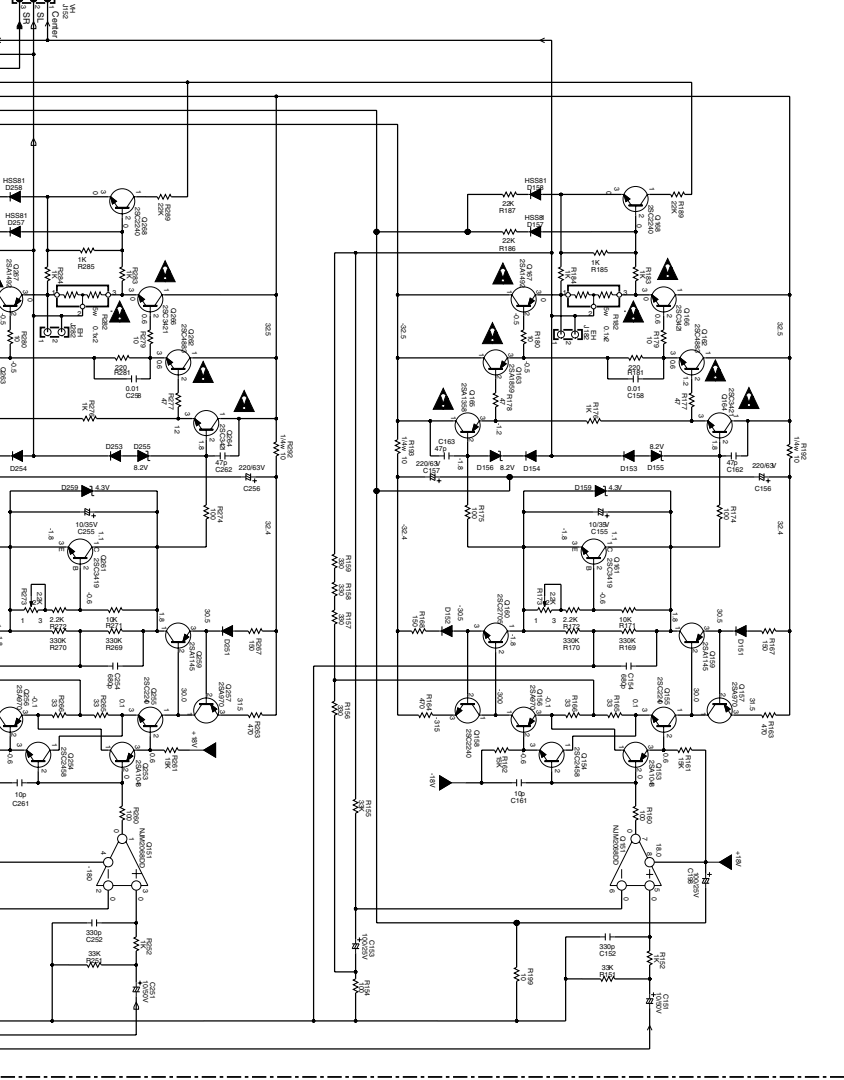
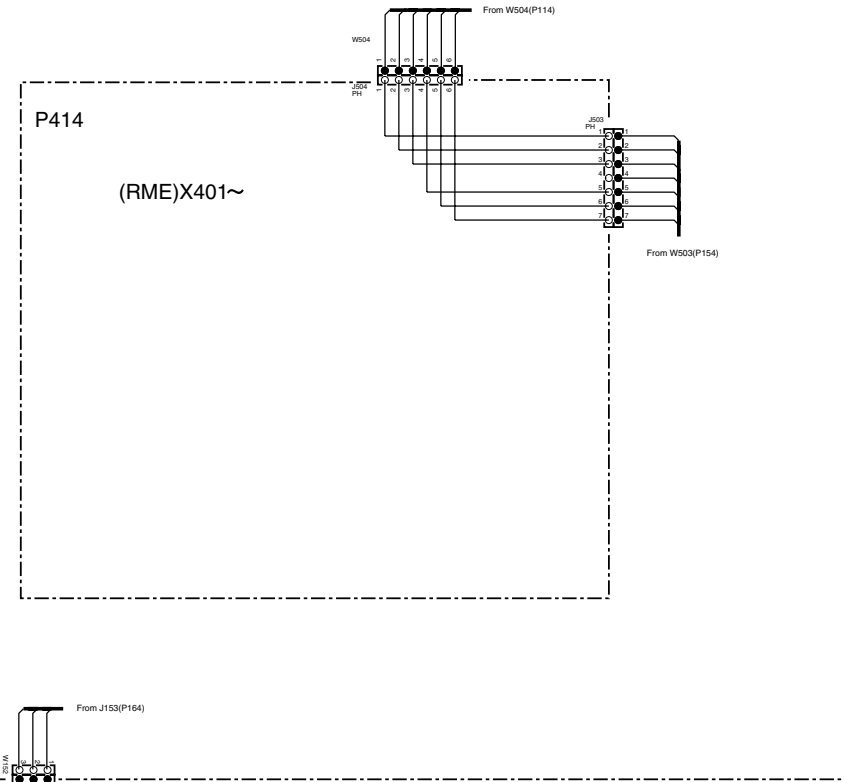
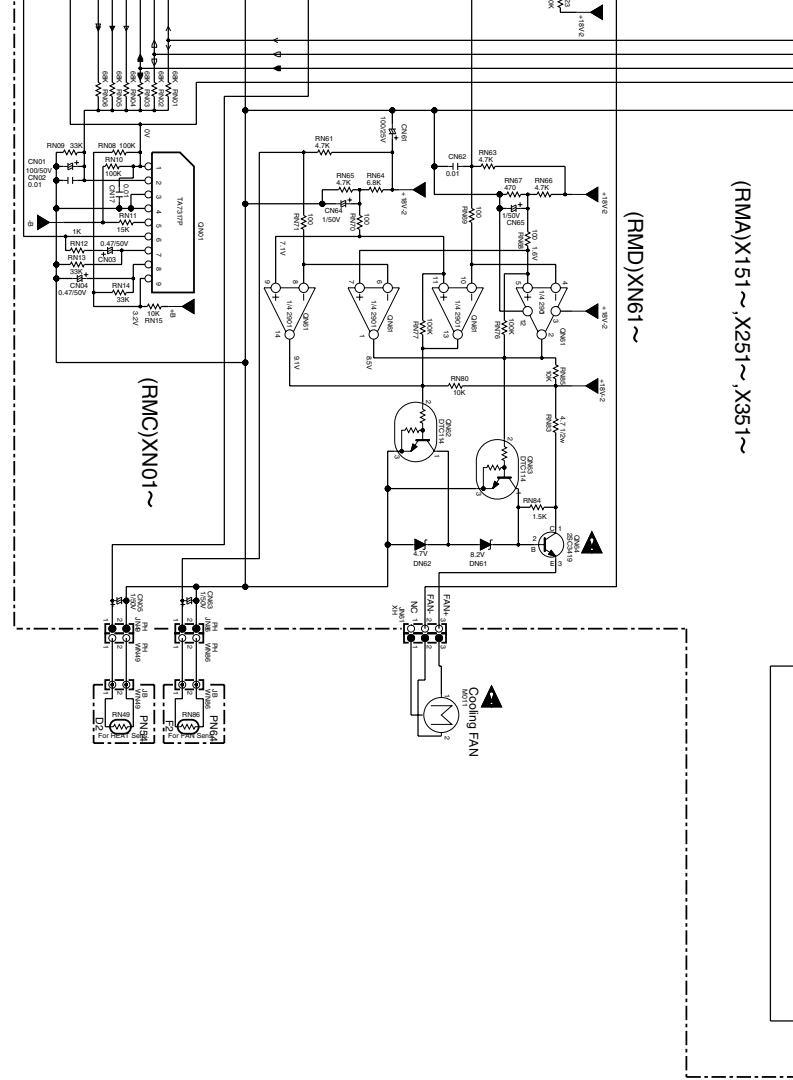
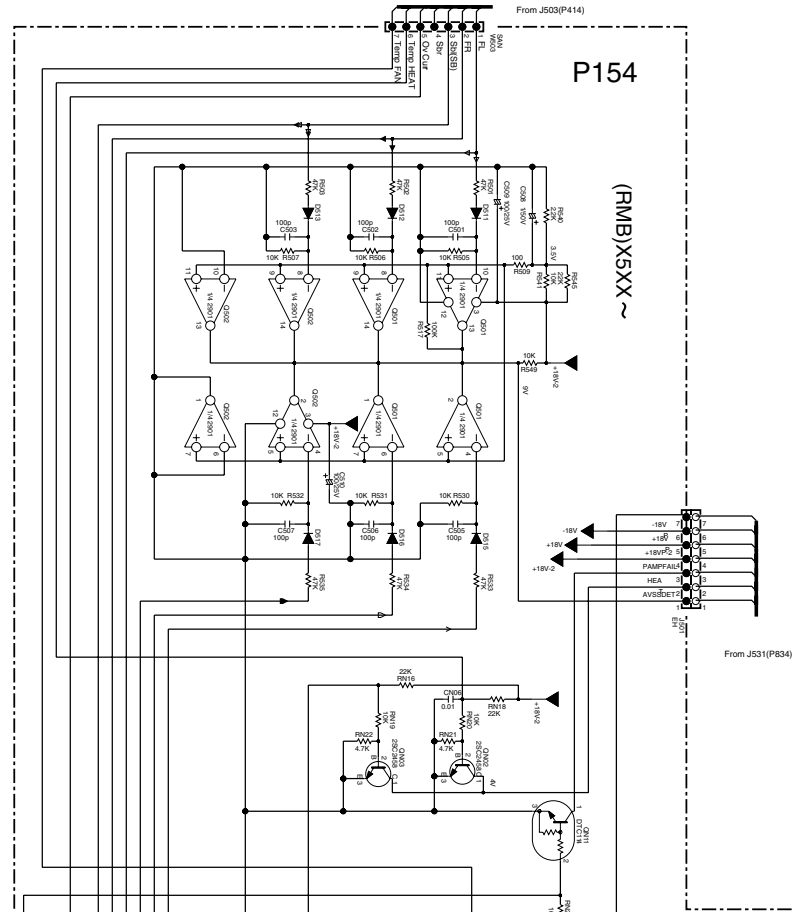
# 4. SCHEMATIC DIAGRAM

SR9200 / PS9200



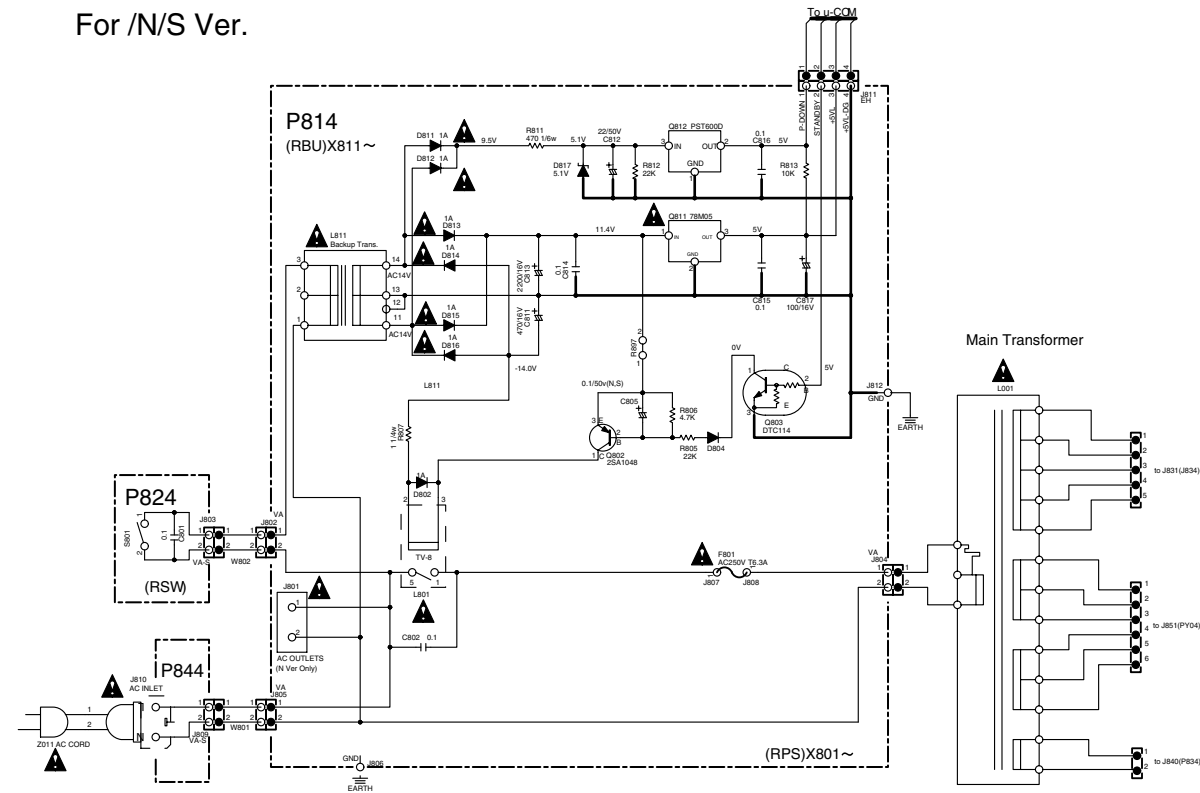




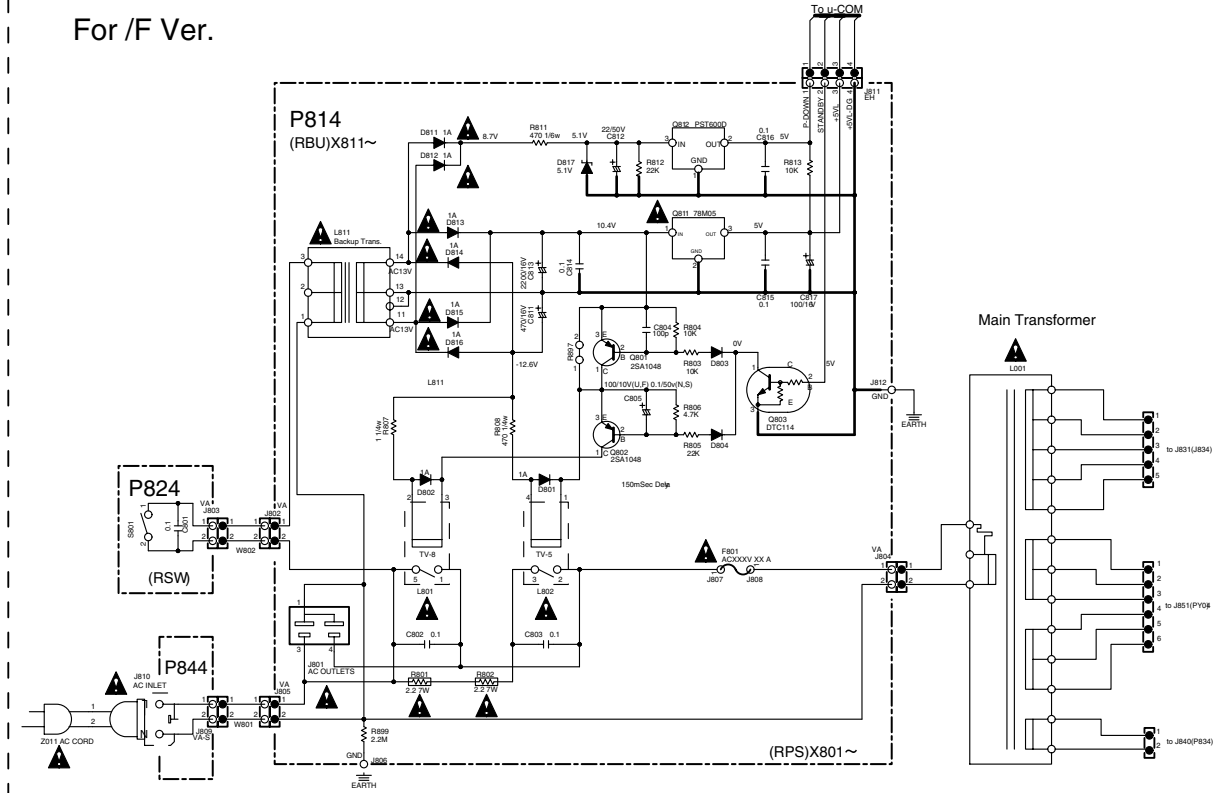


SR9200 / PS9200

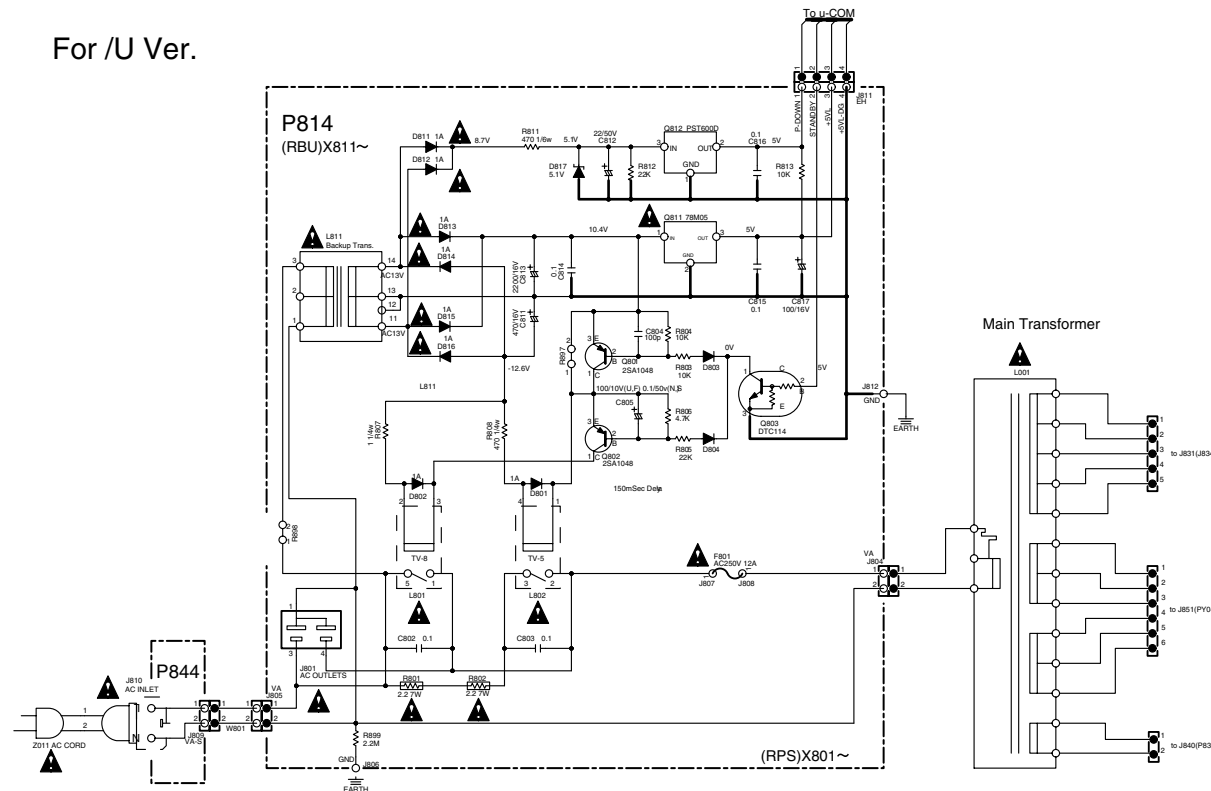
For /N/S Ver.



For /F Ver.

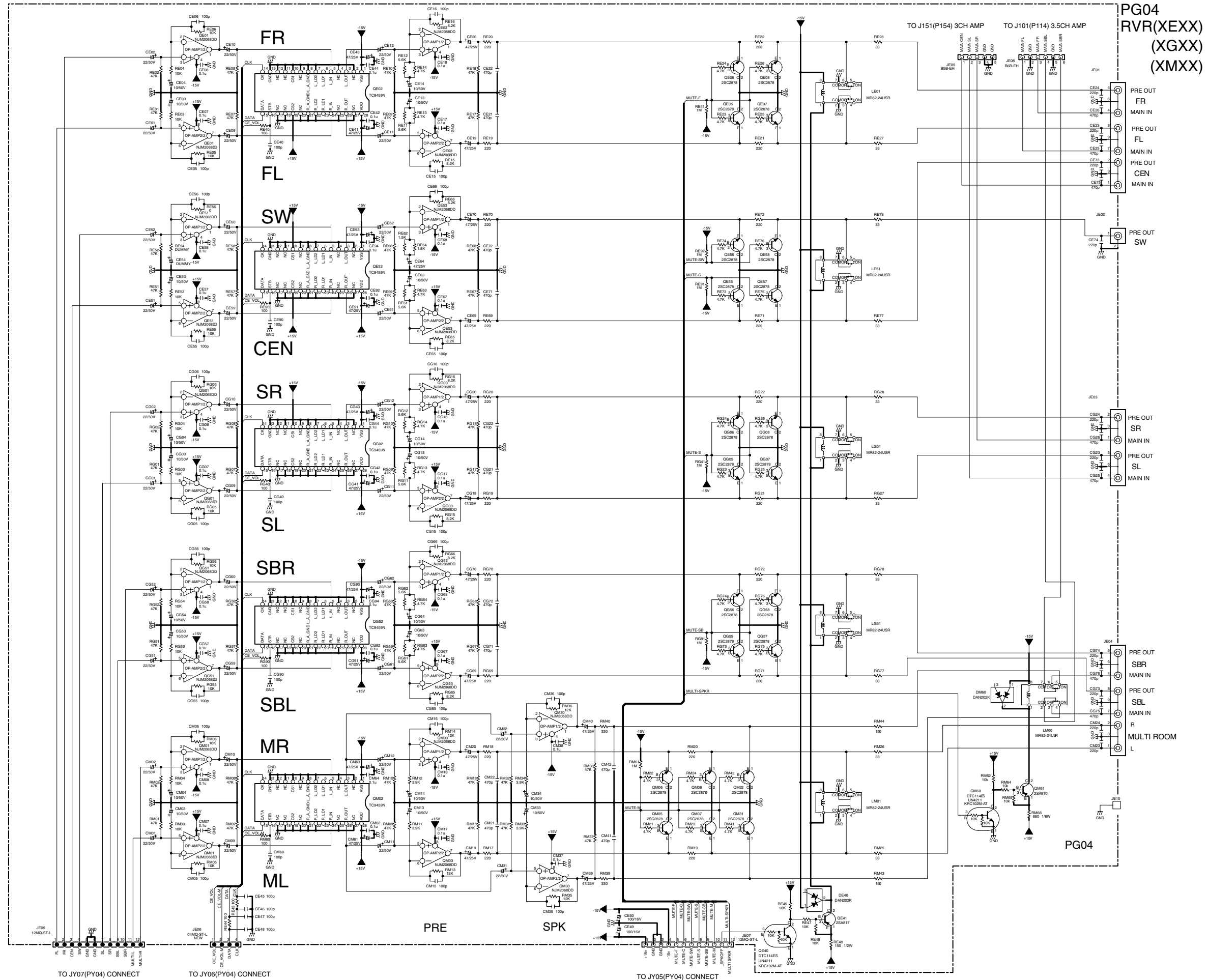


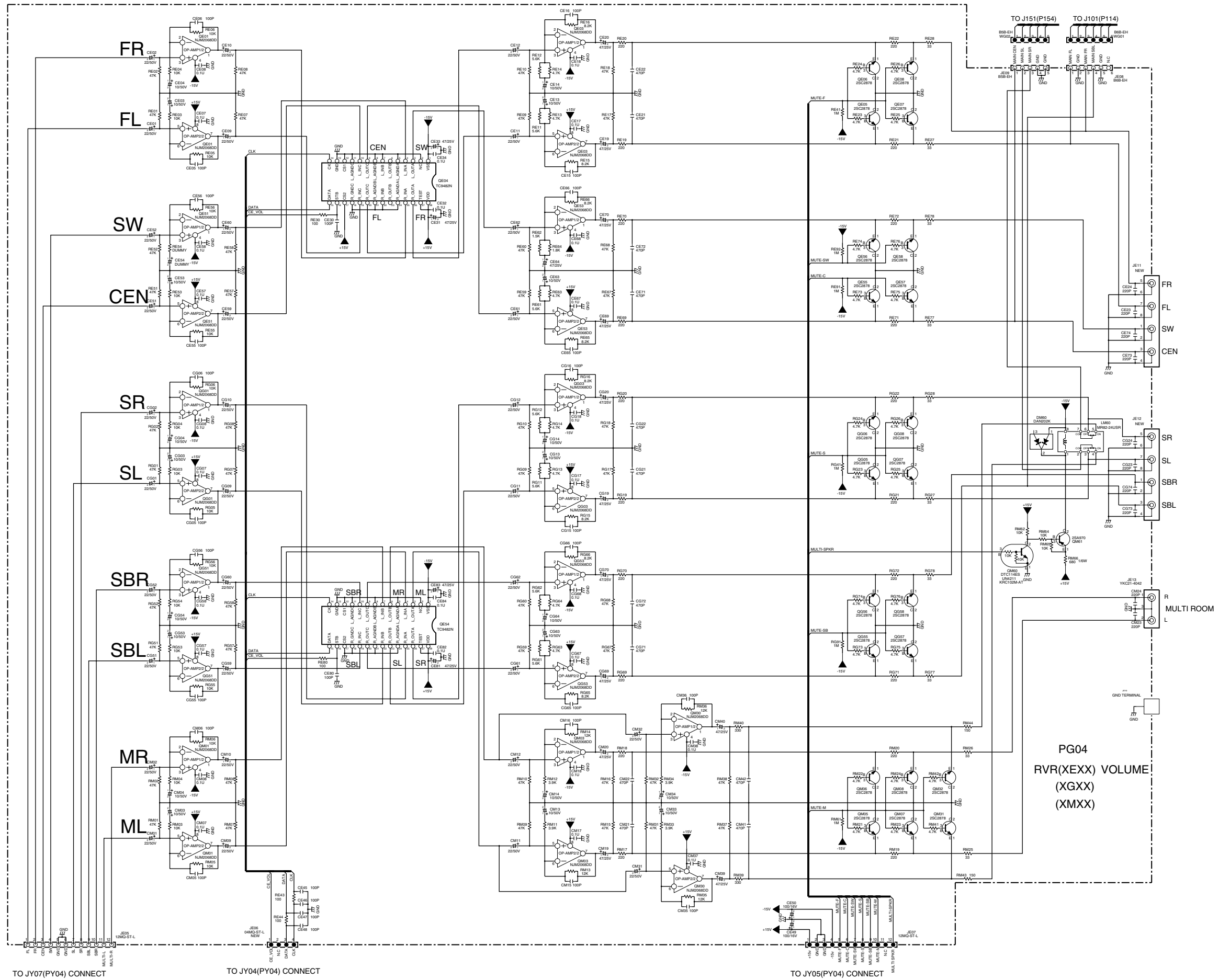
For /U Ver.

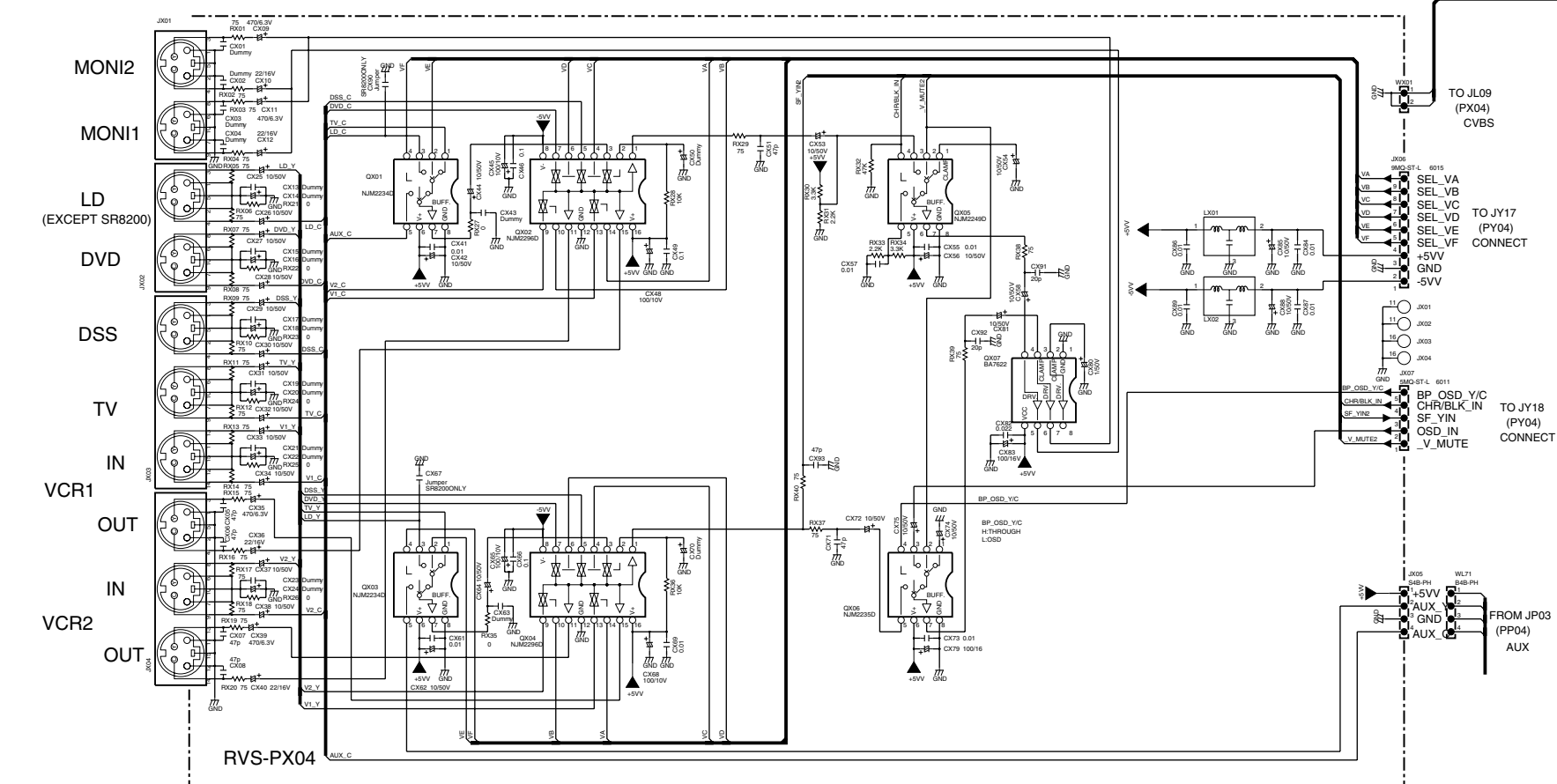
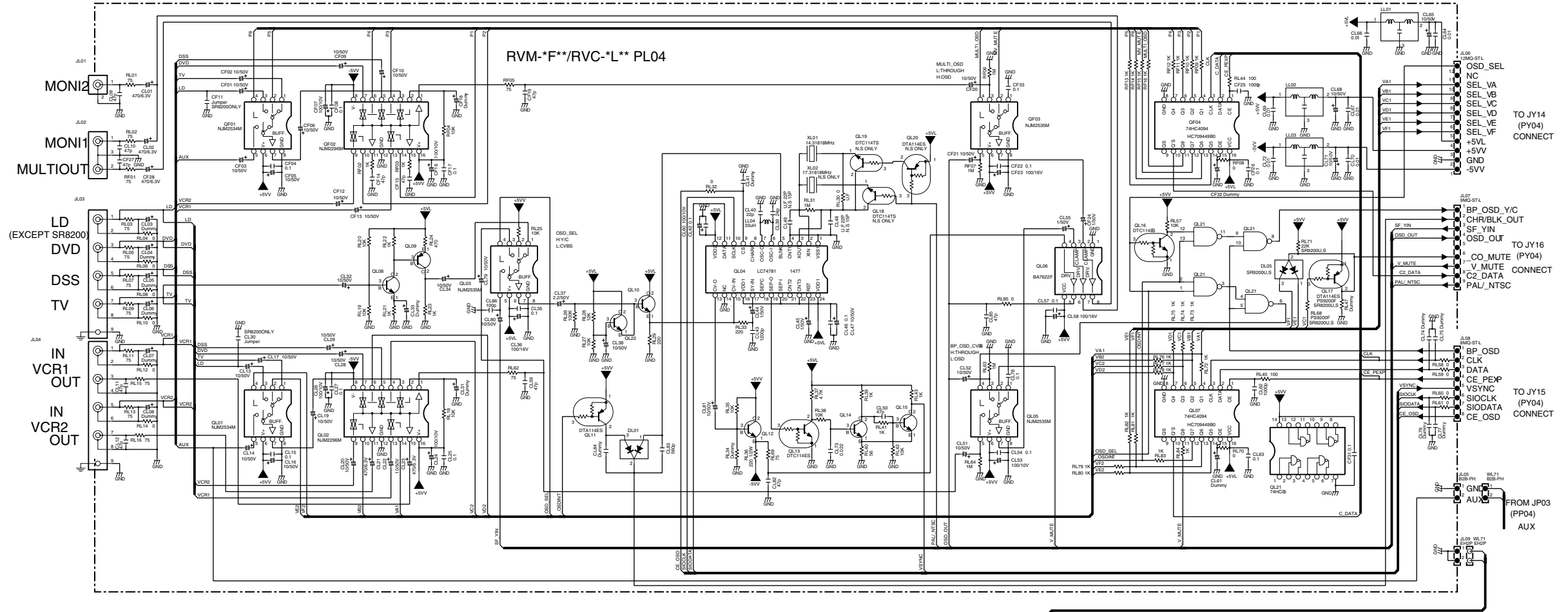






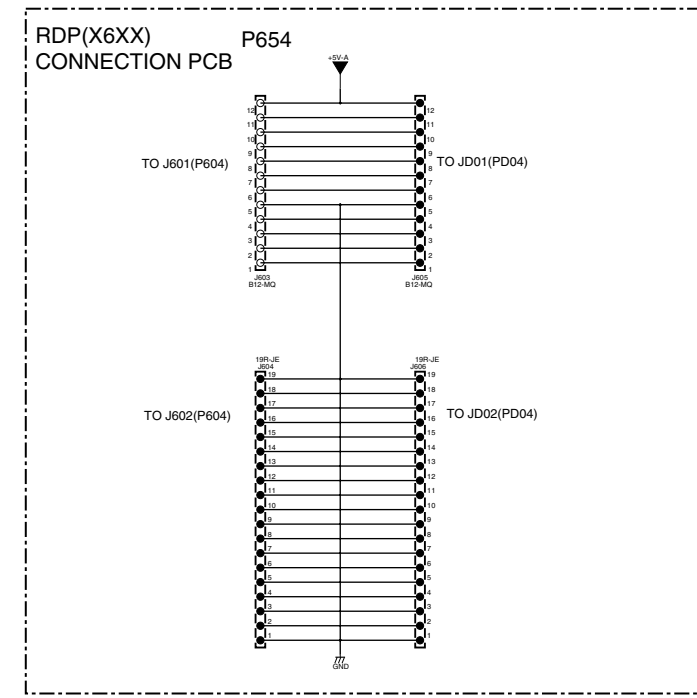
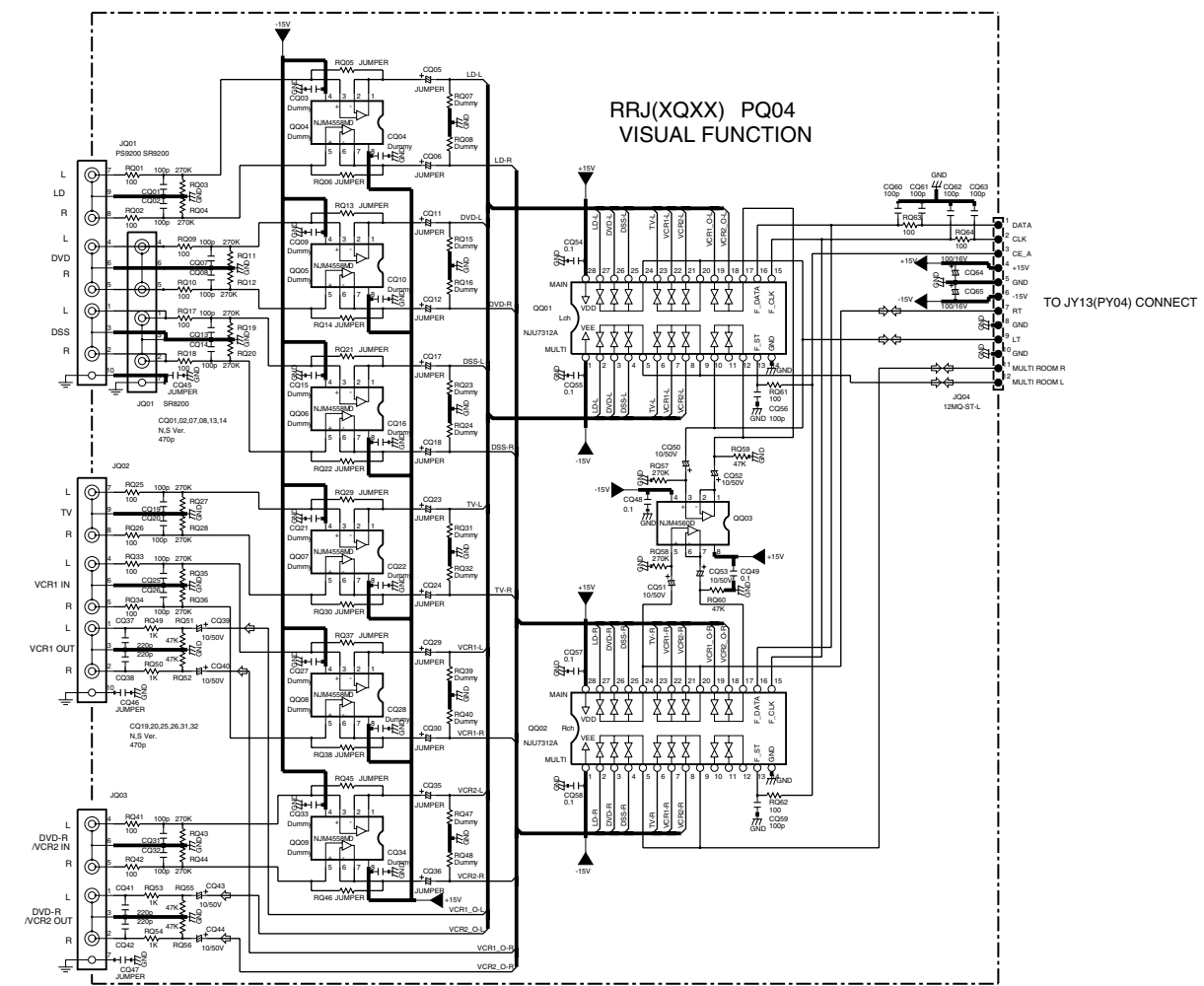
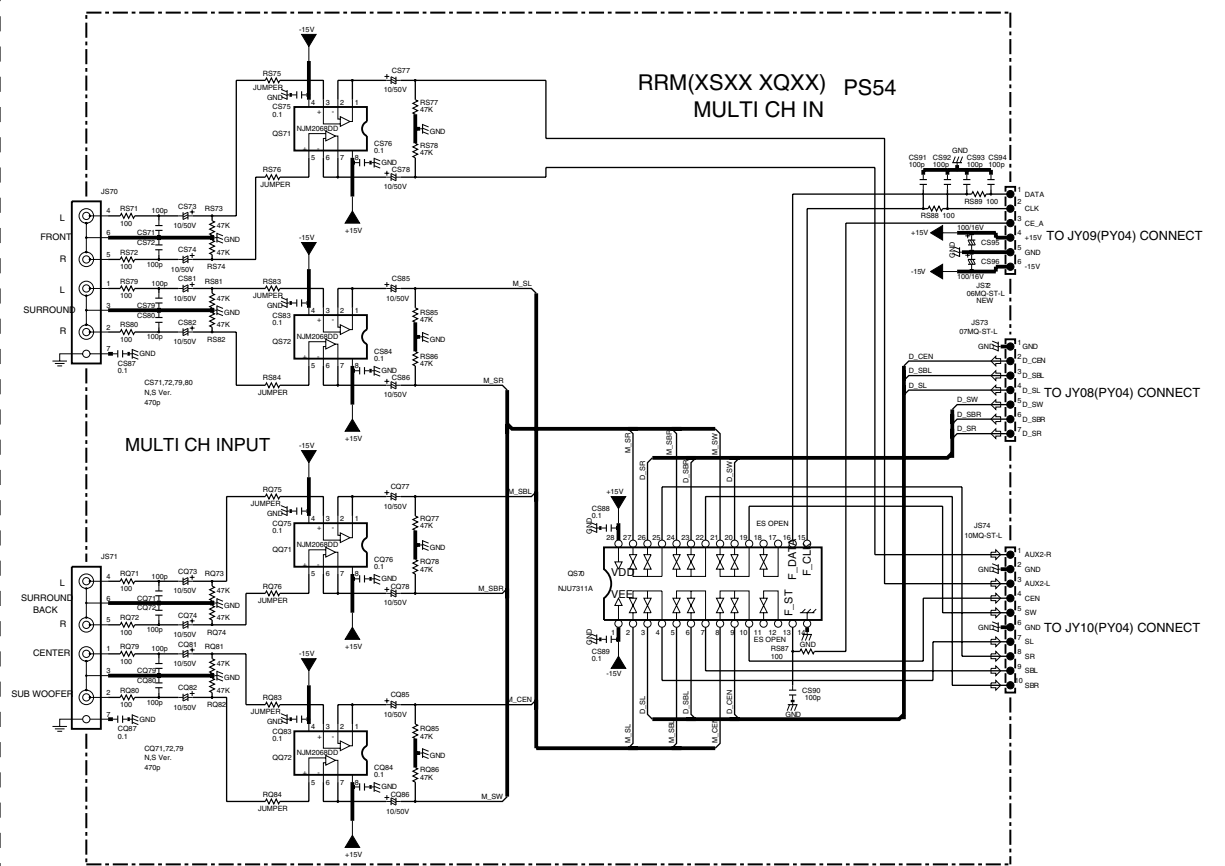
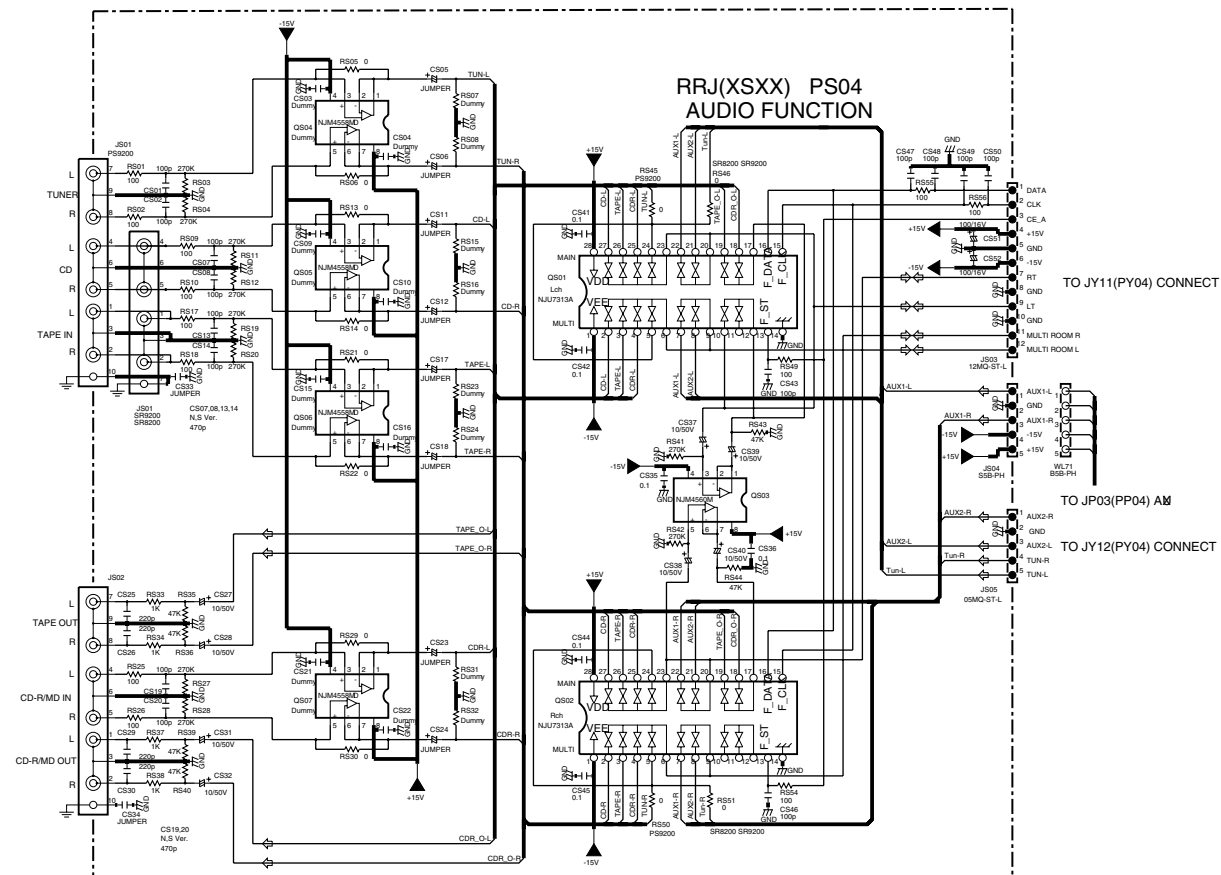


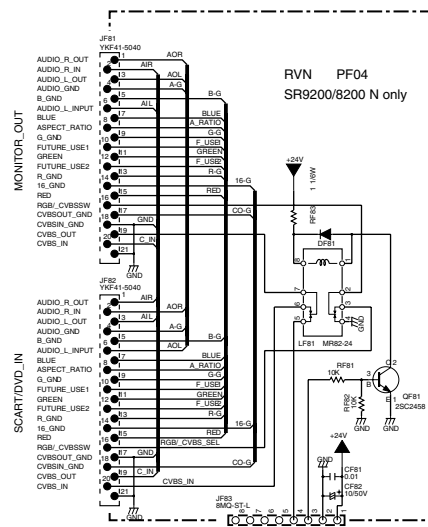
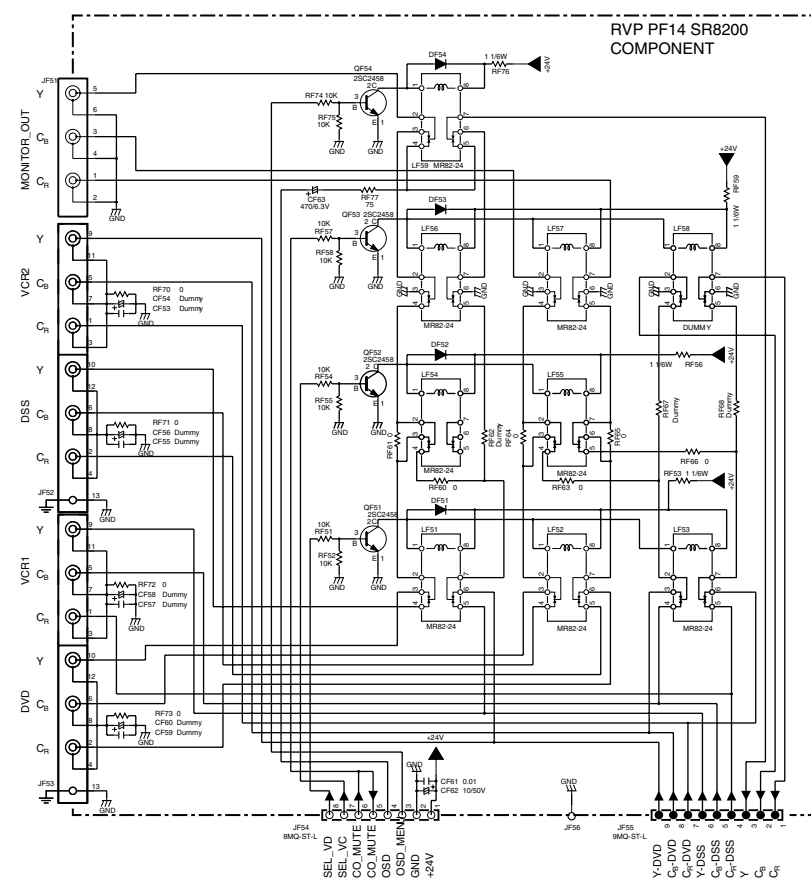
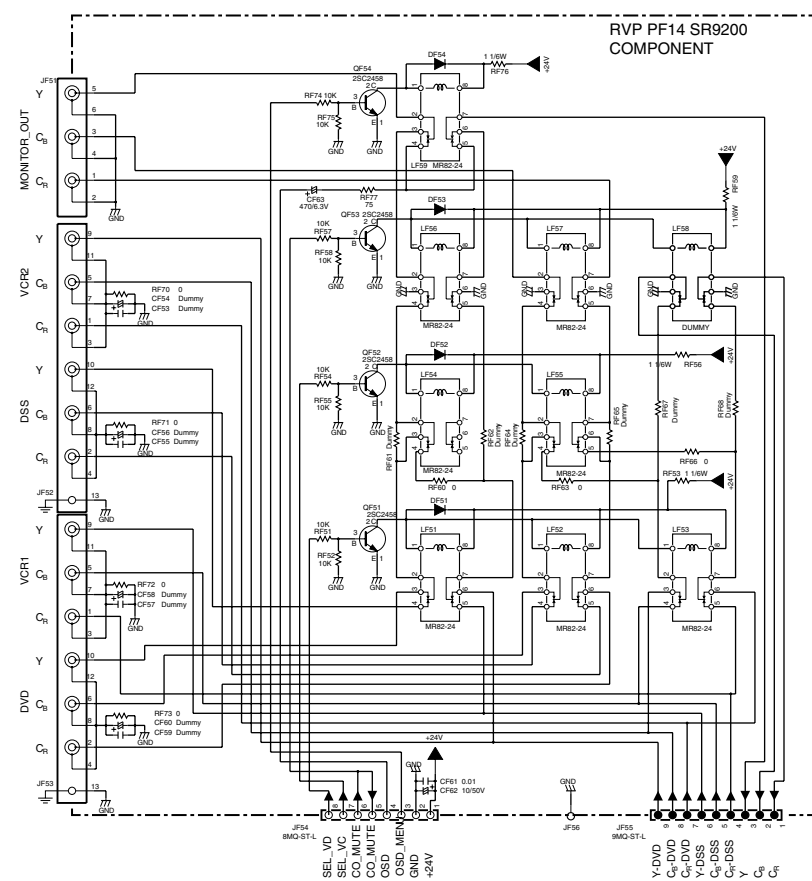
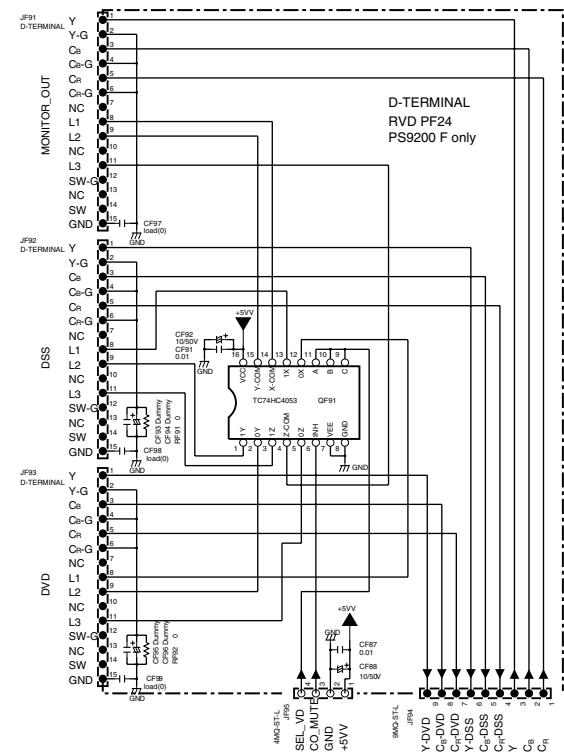
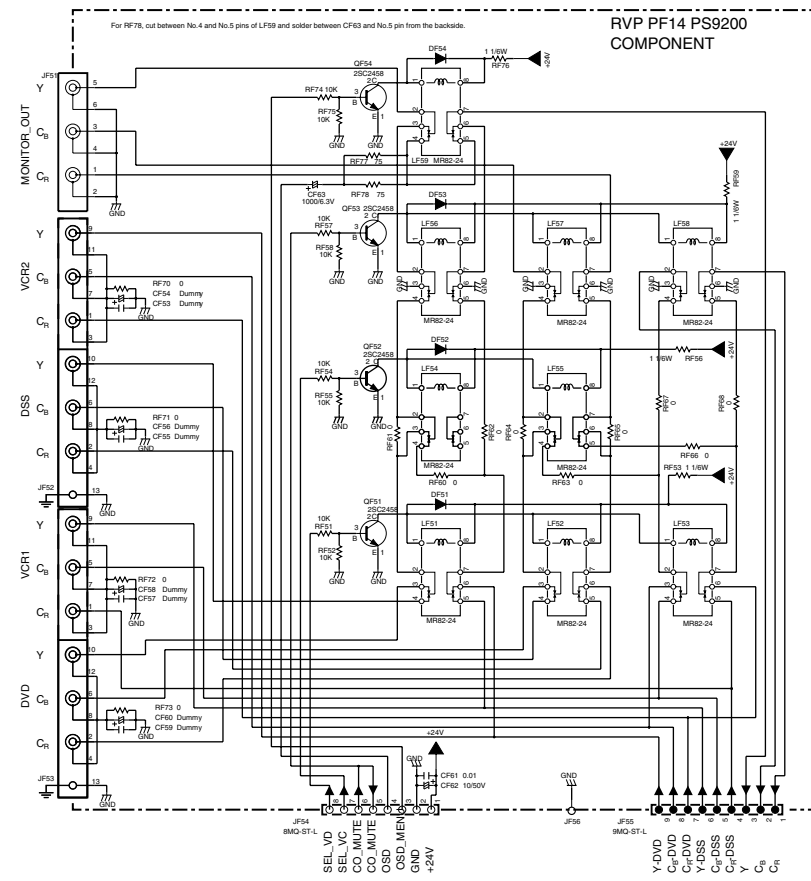
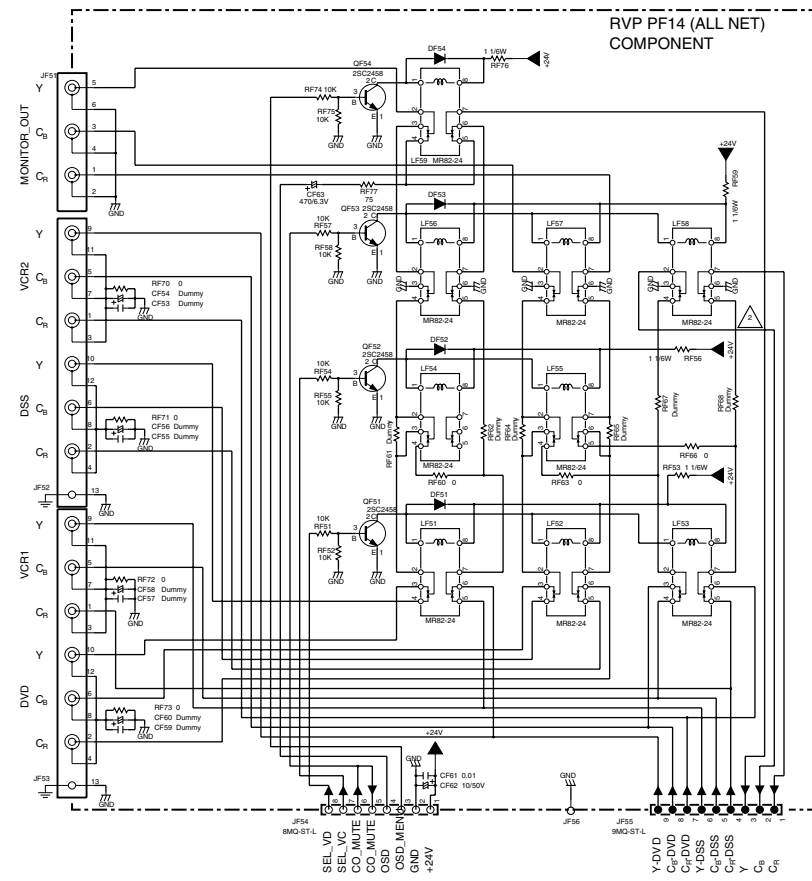




MAIN ROOM CONTROL							MULTI ROOM CONTROL						
	VA	VB	VC	VD	VE	VF		VA	VB	VC	VD	VE	VF
TV	H	H	H	H	L	L	TV	H	H	H	H	L	L
DVD	H	H	L	L	H	H	DVD	H	H	L	L	*	*
LD	H	H	H	H	H	L	LD	H	H	H	H	H	L
VCR1	L	H	H	H	H	H	VCR1	L	L	L	L	*	*
VCR2	H	L	H	L	H	H	VCR2	H	L	L	L	*	*
DSS	H	H	L	H	H	H	DSS	H	H	L	H	*	*
AUX	H	H	H	H	L	H	AUX	H	H	H	H	H	H

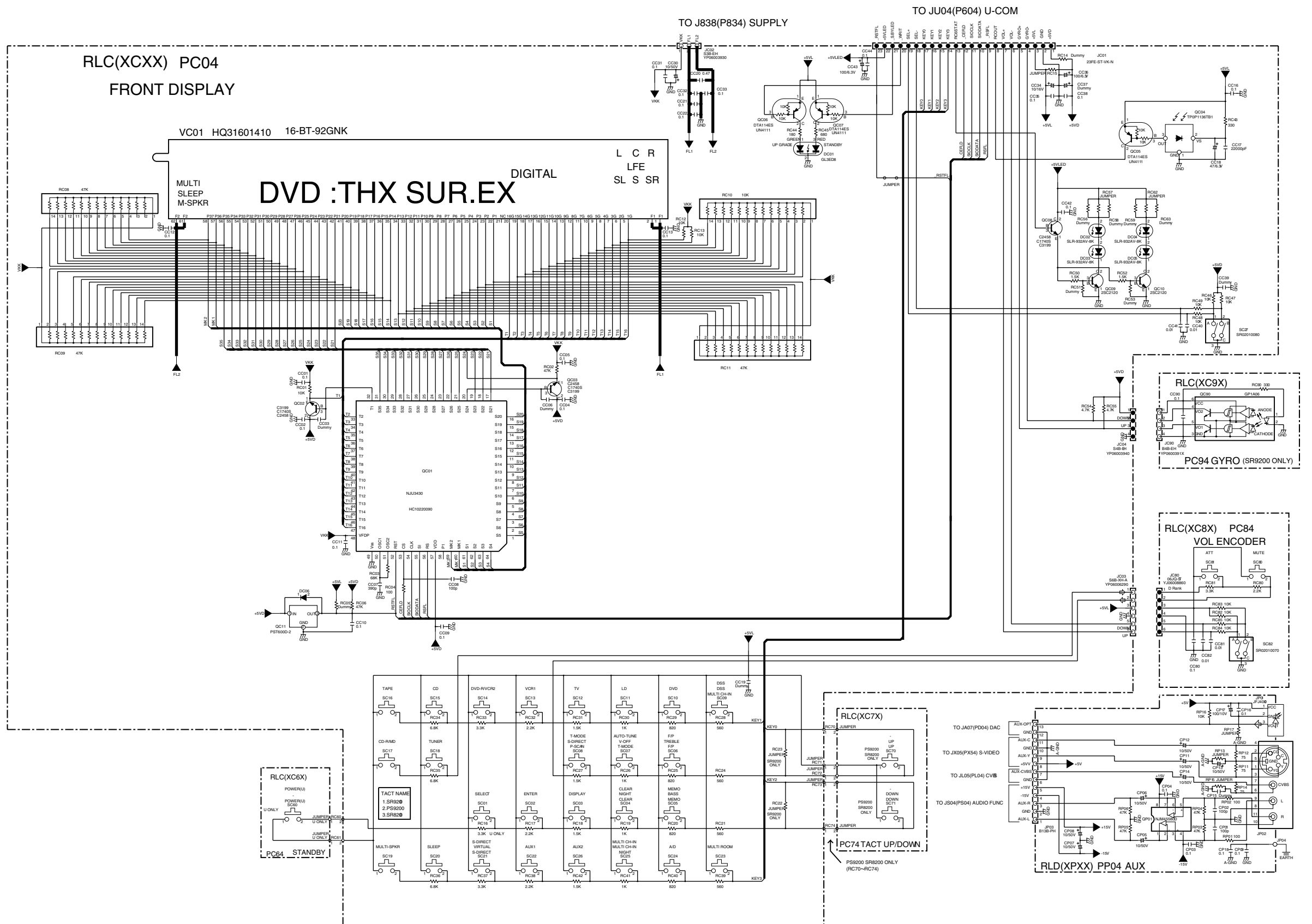
\*DONT CARE

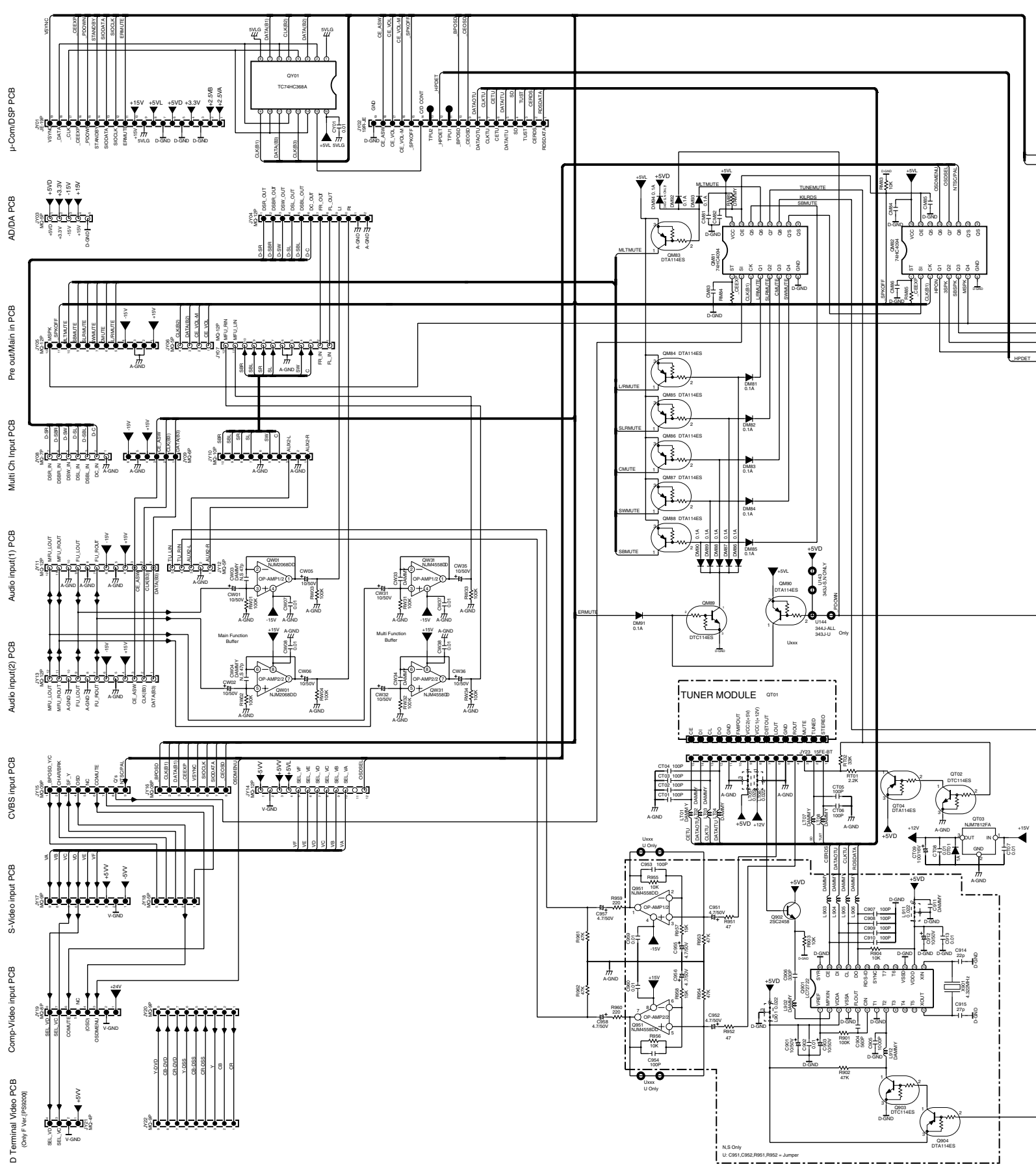




**COMPONENT CONTROL**

	VC	VD
DVD	L	L
VCR1	H	H
VCR2	H	L
DSS	L	H

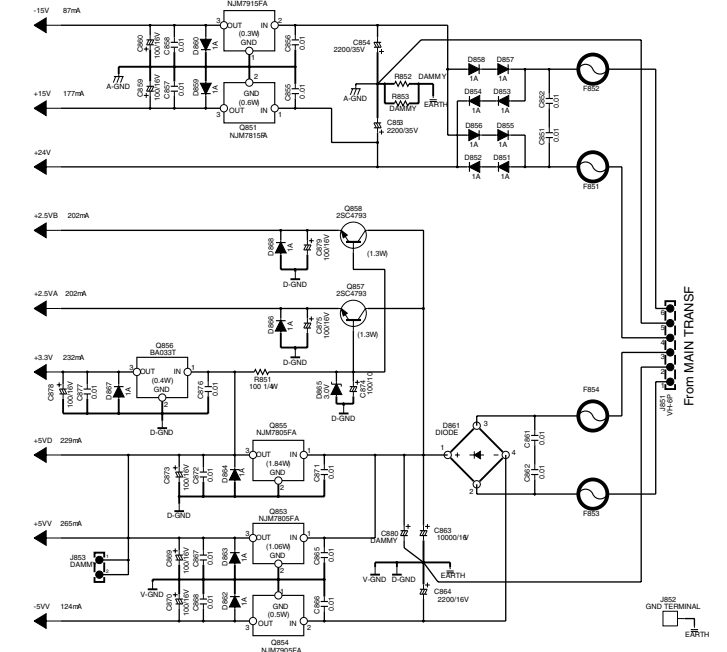




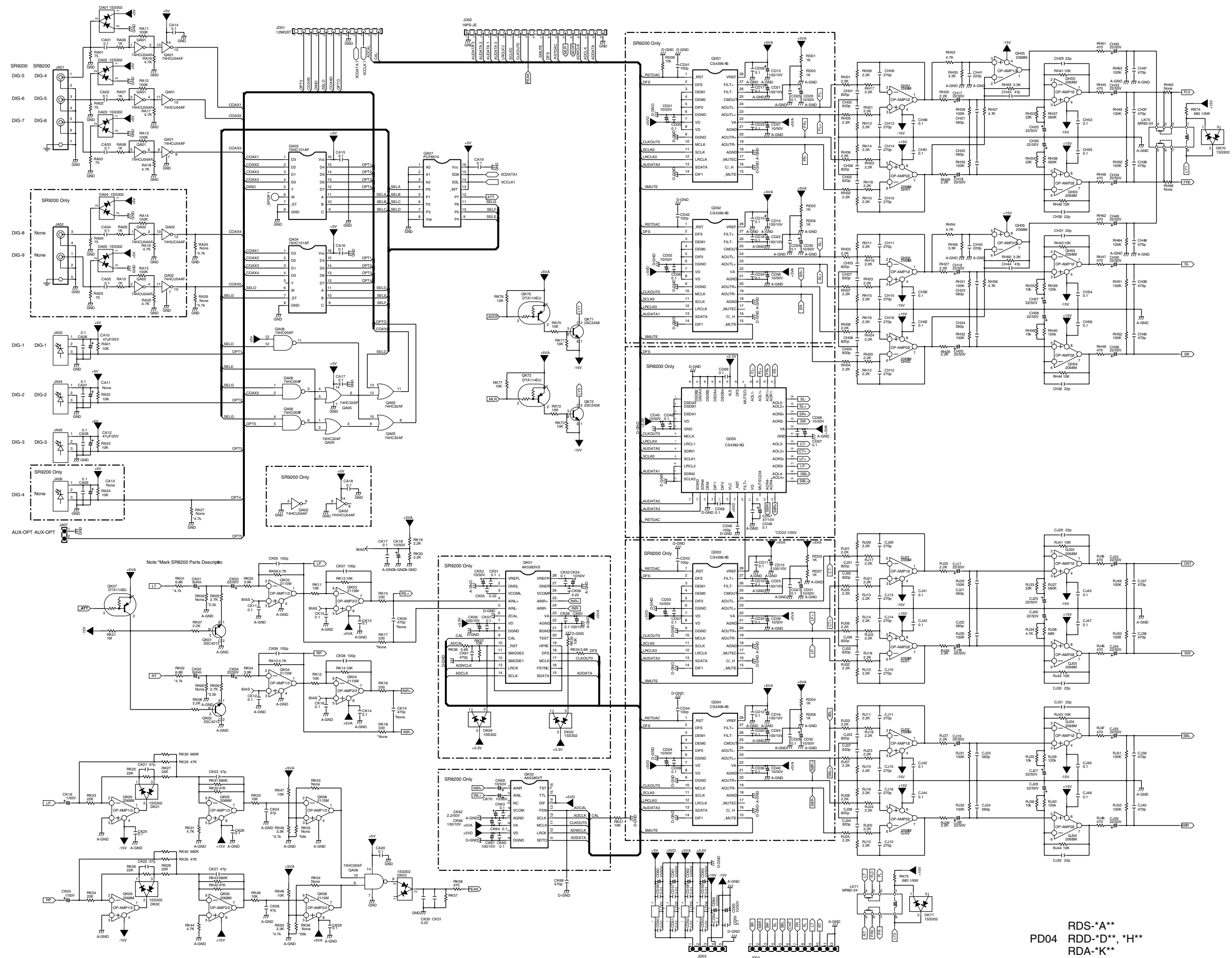
PY04  
 RCN-\*Y\*\*/RVR-\*M,W\*\*/RTU-\*T\*\*  
 RTR-\*9\*\*/RPS-\*8\*\*

For J811 P04

For JN02 P124



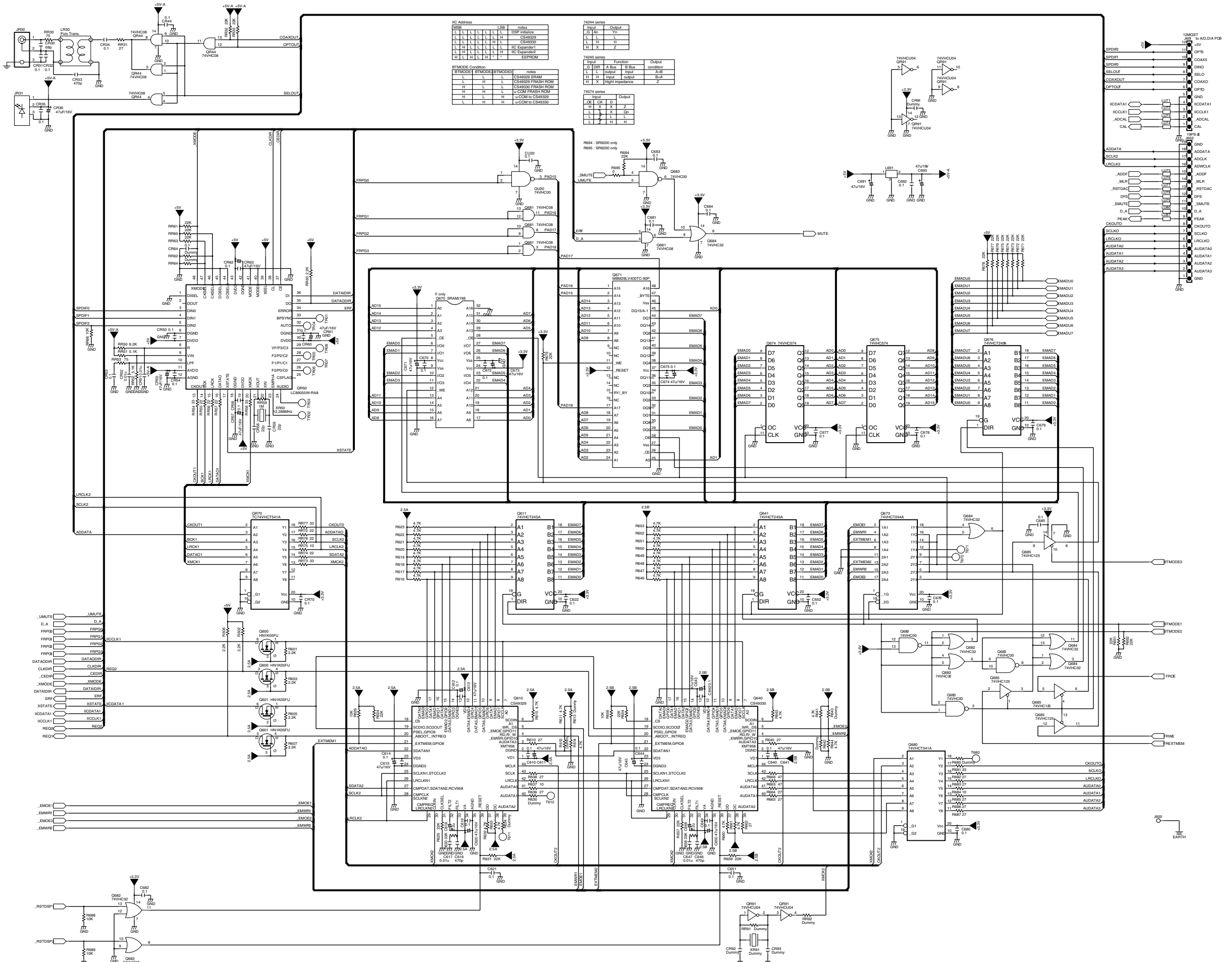


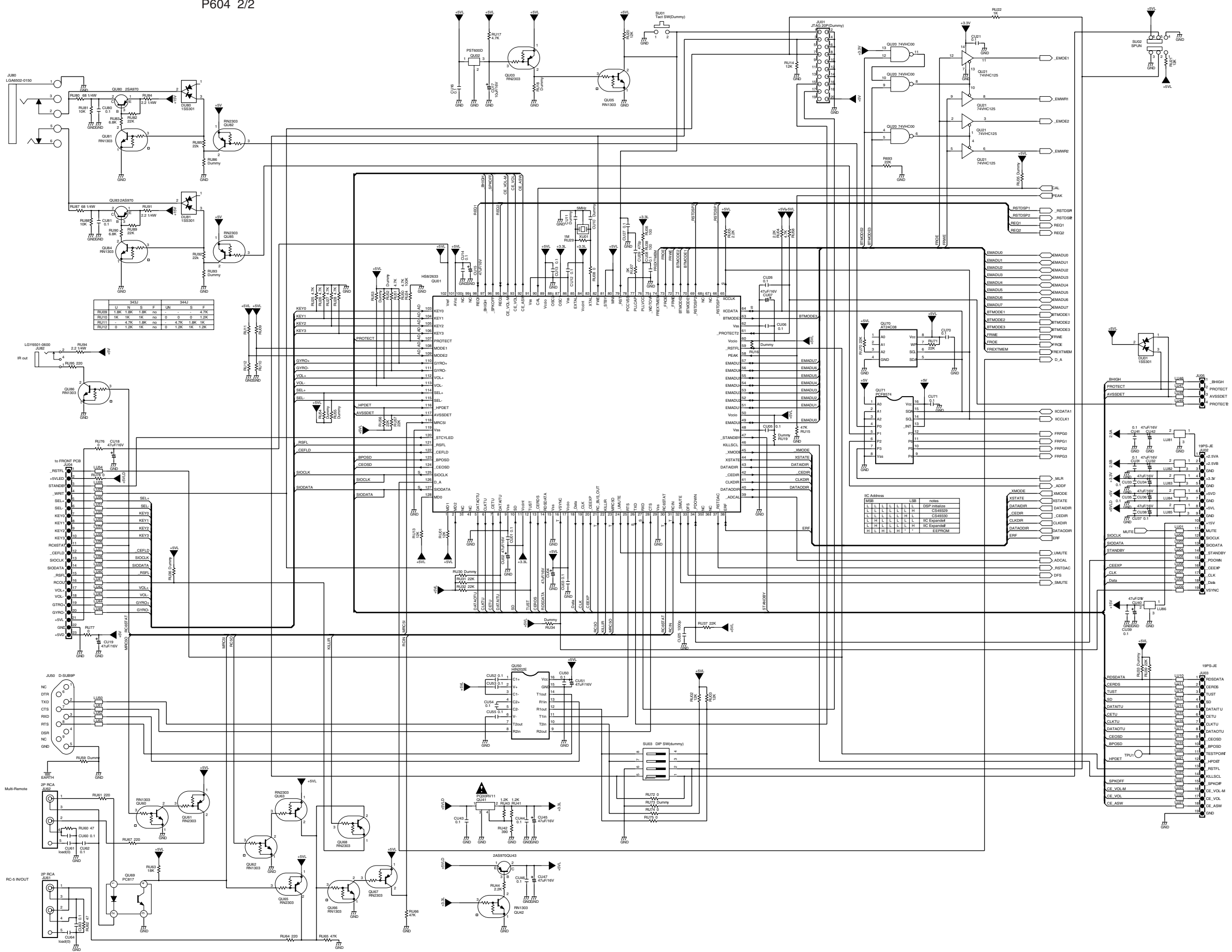


Note: Mark SR8200 Parts Description

RDS-\*A\*\*  
 PD04 RDD-\*D\*\* \*H\*\*  
 RDA-\*K\*\*

P604 1/2





IC Address	MSB	LSB	Notes
L L L L L L L L L L	L	L	EEPROM
L L L L L L L L L L	L	L	EEPROM
L L L L L L L L L L	L	L	EEPROM
L L L L L L L L L L	L	L	EEPROM
L L L L L L L L L L	L	L	EEPROM
L L L L L L L L L L	L	L	EEPROM
L L L L L L L L L L	L	L	EEPROM
L L L L L L L L L L	L	L	EEPROM
L L L L L L L L L L	L	L	EEPROM
L L L L L L L L L L	L	L	EEPROM